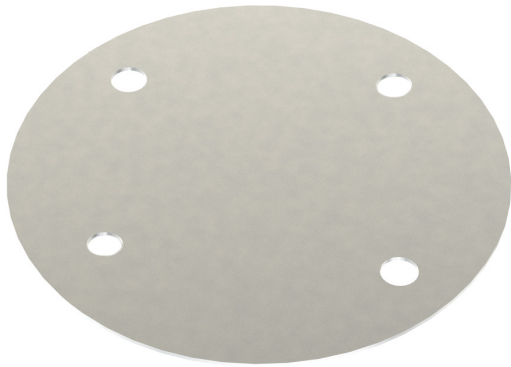


**PRODUCT CODE: BL3G**  
CIRCULAR BOX LID



**DESCRIPTION**

Circular Box Lid - 4 Fixing Holes

**FINISH**

Pre Galvanised

**MATERIAL**

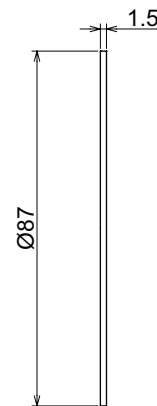
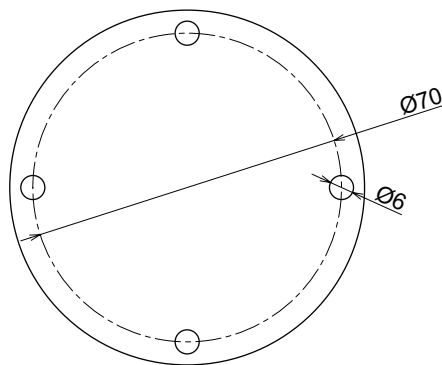
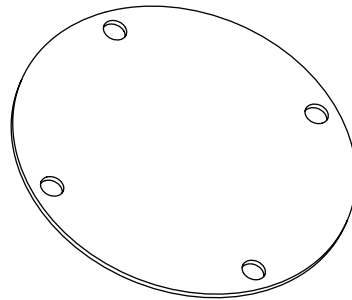
Pressed Steel

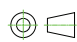
**PACKAGING**

Packed in qty 1

**ADDITIONAL NOTES**

Conforms to BS EN61386-1  
For use with 32mm circular conduit boxes  
Compliant to LU Standard 1-085 (for use on surface & sub-surface locations)



 Values are nominal and with a general tolerance  $\pm 5\%$  unless otherwise specified